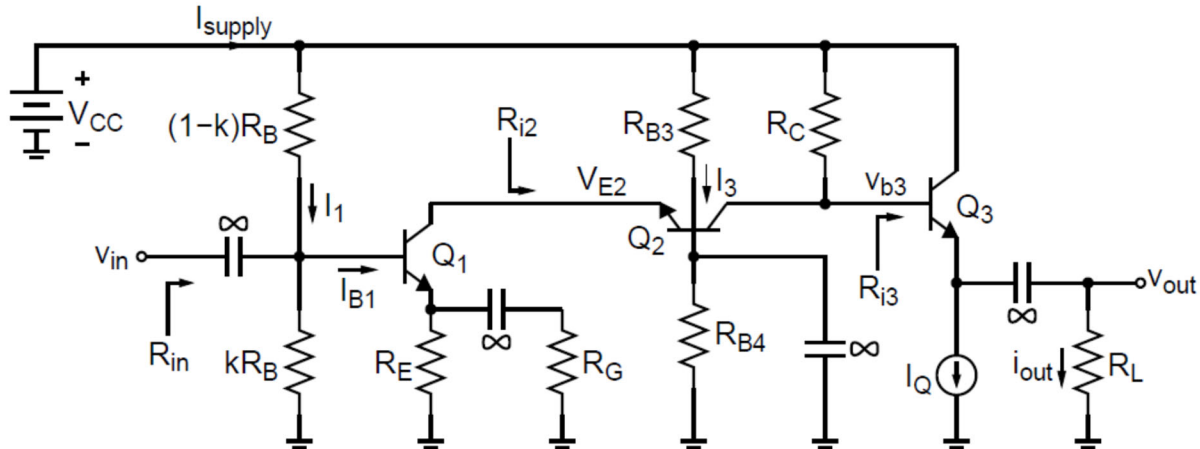


ECEN 326 Lab 2

Design of a Three-Stage BJT Amplifier

Updated Specifications

Design the 3-stage amplifier below with the following specifications:



- $V_{CC} = 5V$
- $|A_v| \geq |-20|$
- $I_{supply} \leq 20mA$
- $R_L = 100\Omega$
- $R_{in} \geq 3k\Omega$
- $V_{E1} \geq 0.5V$
- $V_{E4} \geq 0.2V$
- $v_{omax} = 1V_{pk}$ with harmonic distortion below 5% (-26.0dB)
- Nominal operating frequency = 5kHz

Do the Lab Procedure mentioned in the original lab document, with the above modified specifications.